

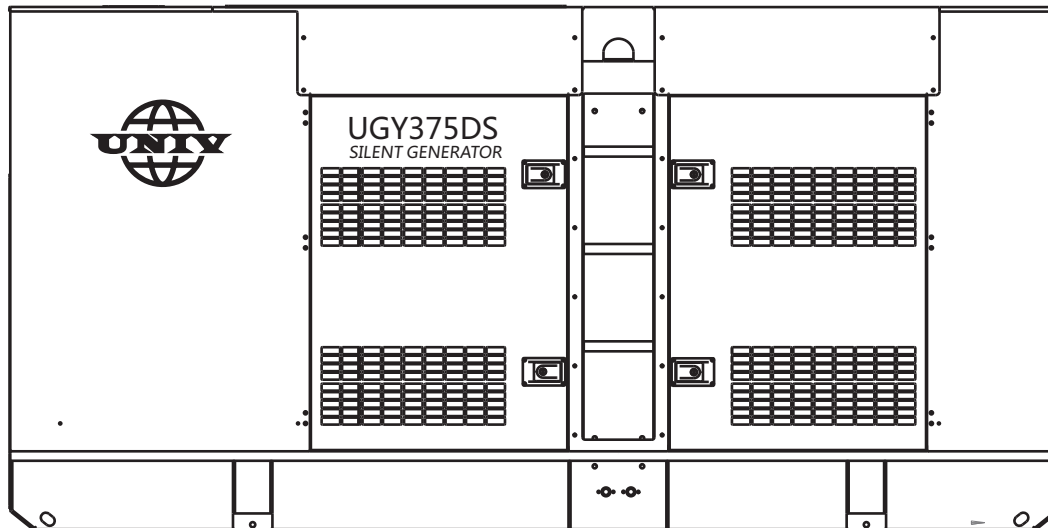


UGY375DS

UNIVPOWER SILENT SERIES

POWER OUTPUT

Prime Rating — 300 kW (375 kVA)
 Standby Rating — 330 kW (412.5 kVA)
 3-Phase, 50 Hertz, 0.8 PF



STANDARD FEATURES

- Heavy duty, 4-cycle, variable speed fan, diesel engine provides maximum reliability.
- Brushless alternator reduces service and maintenance requirements. Class H protection.
 - Open delta alternator design provides virtually unlimited excitation for maximum motor starting capability.
 - Automatic voltage regulator (AVR) provides precise regulation.
- Electronic governor system maintains frequency to $\pm 0.25\%$.
- Full load acceptance of standby nameplate rating in one step
- Soundproof, weather resistant, steel housing provides operation at 80dB (A) at 7meters. Fully lockable enclosure allows safety operation. Outdoor operation available.
- Internal fuel tank with direct observing glass, and fuel level meter display on control panel
 E-coat and powder coat paint provides durability and weather protection.
- Digital engine gauges including oil pressure, water temperature, battery volts, engine speed, and fuel level.
- Analog generator instrumentation including Ampere meter,
- Voltage meter, frequency meter, ammeter phase selector switch, voltmeter phase selector switch. Analog generator instrumentation and regulator adjustment.
- Deepsea/Comap professional generator controller.
 - High visibility LCD display with heated screen and alphanumeric readout.
 - IP65 Protection standard, operational temperature range of -40° to 85° C.
 - Modbus interface for gauge panel and expansion options.
 - DPF cleaningcycle indication.
 - Log record for inspection
- Automatic safety shutdown system monitors the water temperature, engine oil pressure, low coolant, low DEF, overspeed, and overcrank. Warning lights indicate abnormal conditions.
- Fuel/water separator. Removes condensation from fuel for extended engine life.
- Emergency stop switch — when manually activated, shuts down in any emergency.

UNIVPOWER SILENT SERIES

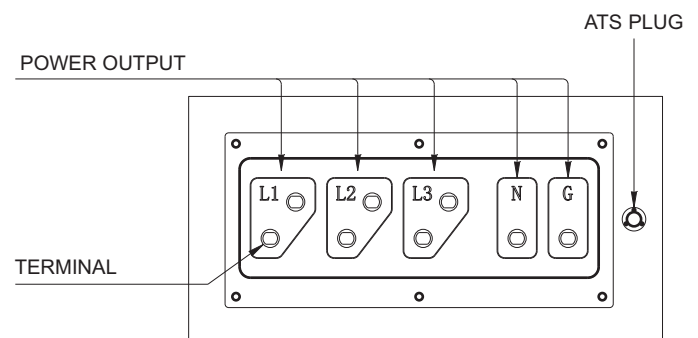
UNIV POWER DECIBELLEVELS

Revolving field, self ventilated weatherproof Normal conversation allows substantially lower operating noise levels than competitive designs. UNIVGensets good for home, construction sites, residential, hospital, etc.

- 90 — Subway / truck traffic
- 80 — Average city traffic
- 70 — Inside car at 60 mph
- 60 — Air conditioner at 6m
- 50 — Normal conversation

80.0
DECIBELS

GENERATOR OUTPUT PANEL





UGY375DS

UNIVPOWER SILENT SERIES

SPECIFICATIONS

| Generator Specifications | |
|--|--|
| Model | Revolving field, self-ventilated weatherproof |
| Armature Connection | Star with Neutral |
| Phase | 3 |
| Standby Output | 330KW (412.5KVA) |
| Prime Output | 300KW (375 KVA) |
| Power Factor | 0.8 |
| Voltage Regulation (No load to full load) | ±0.5% |
| Generator RPM | 1500 |
| Frequency | 50 Hz |
| No. of Poles | 4 |
| Excitation | Brushless with AVR |
| Frequency Regulation: No Load to Full Load | Isochronous under varying loads from no load to 100% rated load |
| Frequency Regulation: Steady State | ±0.25% of mean value for constant loads from no load to full load. |
| Insulation | Class H |
| Sound Level dB(A) Full load at 7M | 80 |

| Amperage | |
|--|--------------|
| Rated Voltage | Maximum Amps |
| 3Ø Volt 230/400 | 541.2Amps |
| 3Ø Volt 220/380 | 569.7 Amps |
| Main Line Circuit Breaker Rating | 630 Amps |
| Over Current Relay Trip Set Point 400V Mode Only | 693Amps |

| Fuel System | |
|--------------------|--------------------------|
| Fuel Tank Capacity | 210 gallons (800 liters) |
| Fuel Consumption | L / h |
| At full load | 78 |
| At 3/4 load | 60 |
| At 1/2 load | 42 |
| At 1/4 load | 23 |

| Control system | |
|--------------------|-------------------------------|
| Controller Brand | Deepsea |
| Model | DSE4520 |
| Module | Manual/Auto start/stop module |
| Standard function | Engine control |
| | Generator monitoring |
| | Generator protection |
| | Specification |
| Display | Frequency |
| | Battery voltage |
| | Running hour |
| Warning/shutdown | under/over voltage |
| | under/over speed |
| | under/over frequency |
| | Low oil pressure |
| | High water temperature |
| Communication port | USB |

| Engine Specifications | |
|---------------------------|--|
| Make / Model | Deutz / BF6M1015CP-LA G |
| Emissions | / |
| Starting System | Electric |
| Design | 4-cycle, water cooled, direct injection, natural intake air cooled |
| Displacement | 11.906 liters |
| No. cylinders | 6 |
| Bore x Stroke | 132 x 145 mm |
| Gross Engine Power Output | 496.4 hp (365 kW) |
| Compression Ratio | 16.5 : 1 |
| Engine Speed | 1500 rpm |
| Overspeed Limit | 1725 rpm |
| Oil Capacity | 10.2 gallons (38.6 liters) |
| Coolant Capacity | 22.46 gallons (85 liters) |
| Battery | 24V 190Ah x 2 |

| Alternator | |
|---------------------------------|--------------------------------|
| Alternator Brand | Stamford/Mecc alte/Dingol |
| Alternator Model | S4L1D-F/ECO40 1S4B/DG444F |
| Excitation | Brushless, Self-Excited system |
| Capacity(KVA) | 400kva |
| Power(KW) | 320kw |
| Efficiency(%) | 90% |
| Insulation class | Class H |
| Protection class | Ip23 |
| Steady state voltage regulation | ±1% |
| Voltage control | AVR |

WARRANTY*

Generator

12 months from date of purchase or 1000 hours (whichever occurs first).

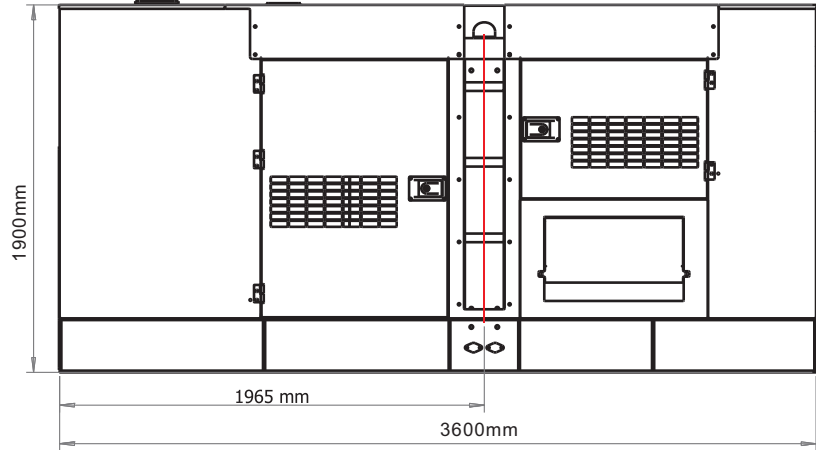
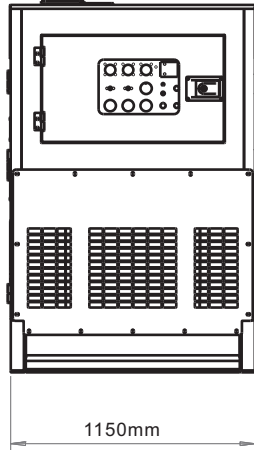
NOTICE

Enough Air flow is extremely important to Generator operation. Improper connection can cause electrocution and/or property damage. Do not connect to any electrical system except through an approved device. Specifications are subject to change without notice.

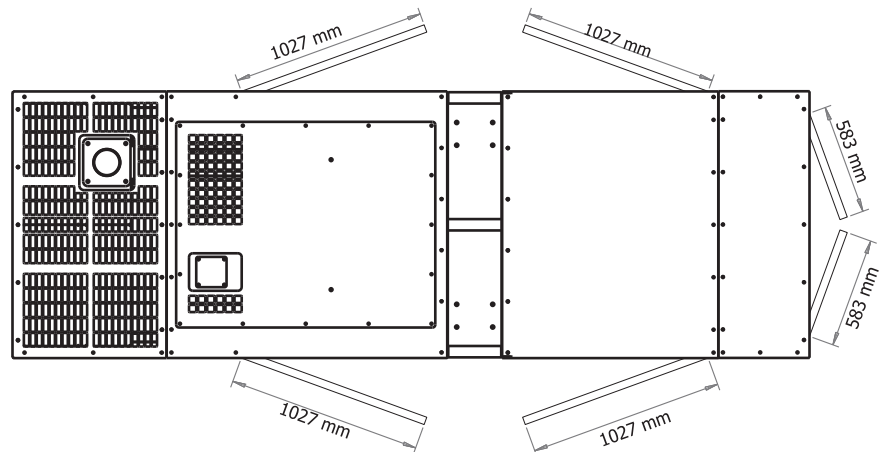


UGY375DS

UNIVPOWER SILENT SERIES



| Weight | |
|-----------------------------|----------|
| Dry Weight | 4,050 kg |
| Wet Weight | 4,550 kg |
| Max. Lifting Point capacity | 8,600 kg |



Manufactured by
Zhejiang Universal Machinery Co.,Ltd
Add:No 18-9 Nanshan Road, Qujiang Zone,
Quzhou city, Zhejiang Province, CN
Tel:0086-570-3377022/3377023
Fax:0086-570-3377086
Website:www.univpower.com